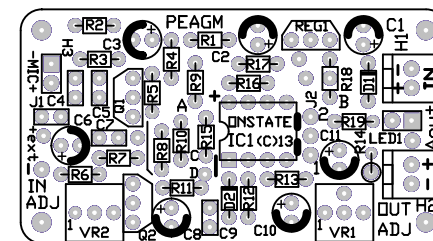


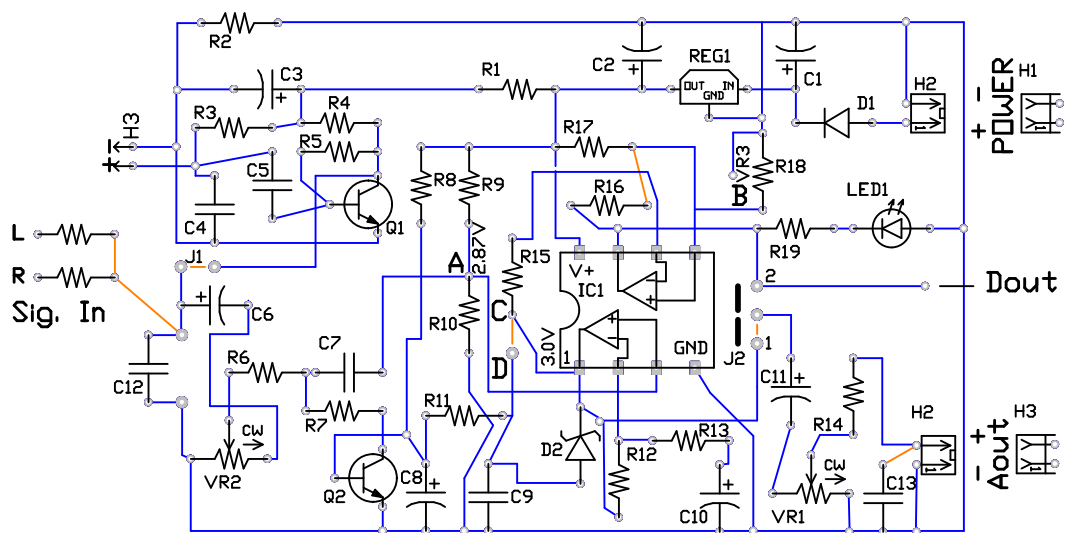
AGC microphone pre-amp/amp low level ctrl



PEAGM application modules:

1. Microphone Pre-Amp.
R3: 10k for high sensitivity, 2.2k for low.
2. External audio input AGC control.
3. AGC microphone pre-amp/amp module.
4. Audio signal pulse/intensity output.

Dnstate Technologies www.DnstateTech.com
 on-tech@dnstatetech.com
 PCB-PEAGM AGC audio module
 PCB: FR4, 1/16", double-sided, through-hole plated.
 SMD/BBC (tin, HASL finish), Lead-free, RoHS
 Dimension: 2.22"x1.22" +/- 0.01", 110mil radius corners
 Holes: 4x 100mil, 2.0"x1.0"
 Panel: V-scored, 6 PCBs/panel



VR1/VR2 can be fixed R.

C12/C13 optional, solder on bottom

Confidential | ©2015 Dnstate Technologies Inc.



All information are property of Dnstate Technologies Inc.
 No information shall be disclosed without permission from Dnstate Technologies Inc.